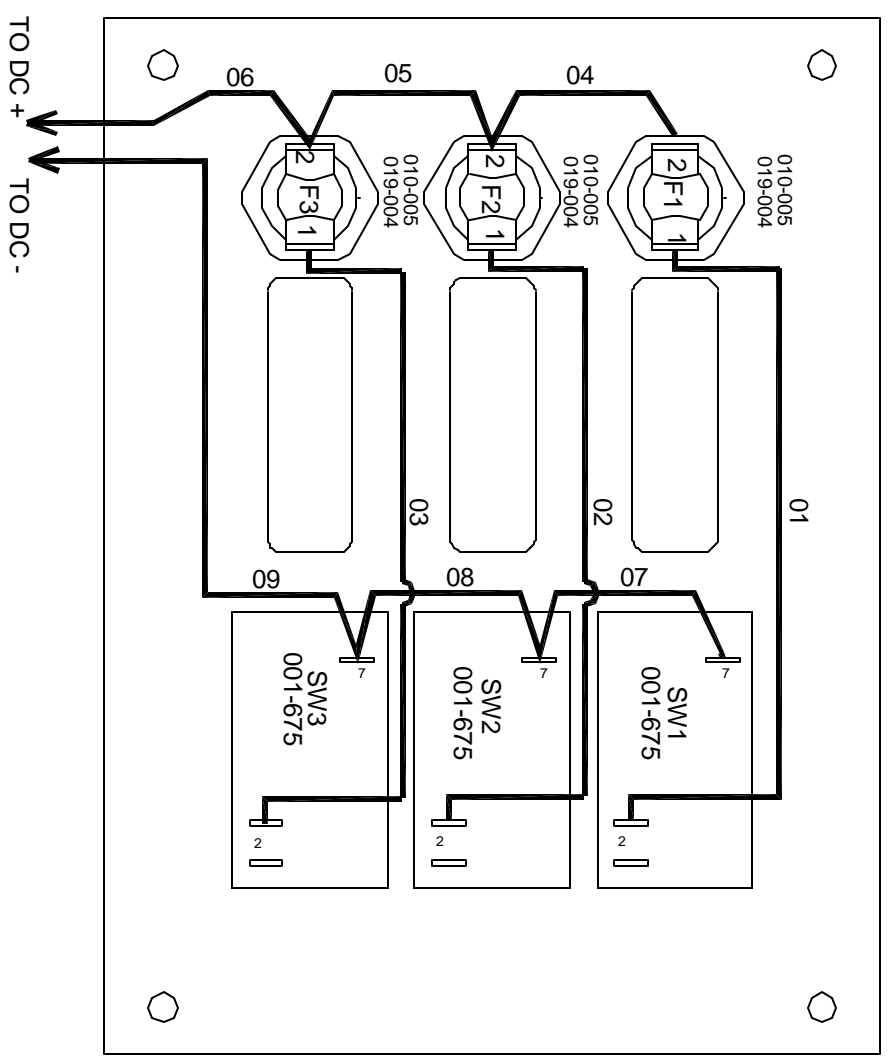


REV	DESCRIPTION	ECN	BY	DATE
2	ADDED SEAL TO SWITCHES	2004234	TG	10/28/04

R E V I S I O N S



EXCLUSIVE PROPERTY OF PANELTRONICS, INC.
 NOT FOR RELEASE WITHOUT PROPER WRITTEN
 AUTHORIZATION THIS DOCUMENT DISCLOSES
 INFORMATION WHICH PANELTRONICS INCORPORATED
 HAS PROPRIETARY RIGHTS

PANELTRONICS
INCORPORATED
 Paneltronics, Inc.
 11960 N.W. 87th Court
 Hialeah Gardens, FL 33018

NOTES:
 LOW PROFILE
 FUSE HOLDER

REAR VIEW
 PNL, DC THREE ROCKER SW PNL

MATERIAL:

DRAWN BY: TG

CUSTOMER: PANELTRONICS

DATE: 11/15/00

SHEET: 2 OF 3

SERIES/MODEL: CAT

SCALE: 1:1

DRAWING #: 9960014

SIZE: A

REV: 2