

NEW 15 & 20 Amp Straight Blade Devices

- FAST ▪ SAFE
- RELIABLE



**REVOLUTIONARY
CLAMP-LOCK** TM

TERMINATION SYSTEM

MARLINCO[®]
SPECIALTY WIRING DEVICES

Clamp-Lock™ Devices

NEW!

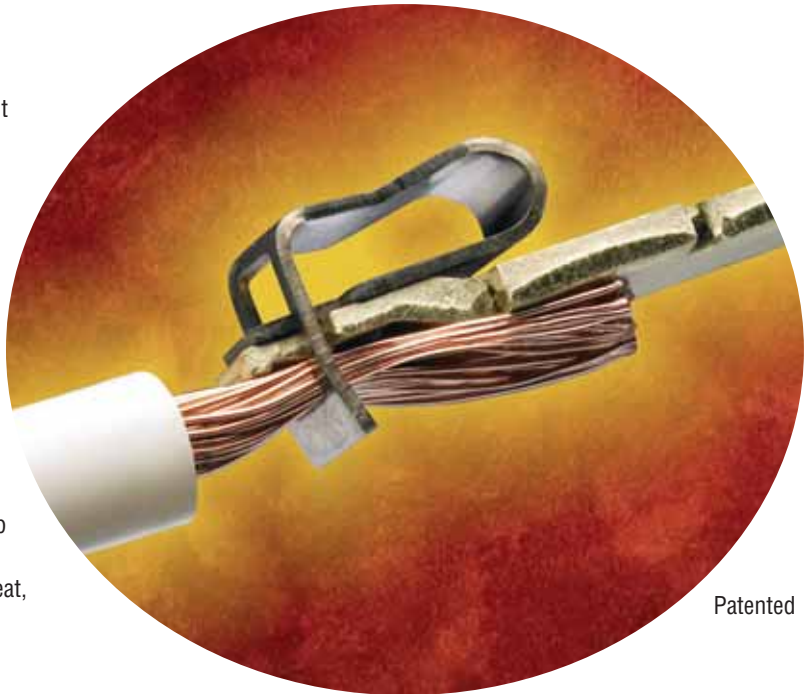
Introducing the new Clamp-Lock™ system from Maringo. It's a revolutionary way to terminate electrical devices for faster assembly and to ensure a reliable, maintenance-free connection. And like all Maringo wiring devices, Clamp-Lock products are designed and produced to meet or exceed tough hospital-grade UL standards.

Fast, Safe and Reliable

Quick: What's your cost to wire up an electrical device? And how reliable is the connection? Do you worry about creep, thermal runaway, even the variability introduced by human assemblers?

Whether you are planning for 10,000 assemblies in your plant or are on site rewiring systems and replacing devices, product performance, safe operation and quick assembly are the critical factors to consider when specifying electrical wiring devices.

With the new Clamp-Lock termination system, connections can be made more reliably and more quickly compared to conventional screw termination systems. What's more, the new system eliminates creep resulting from cold-flow of the strands in stranded wire and eliminates terminal self-loosening resulting from heat, shock or vibration.

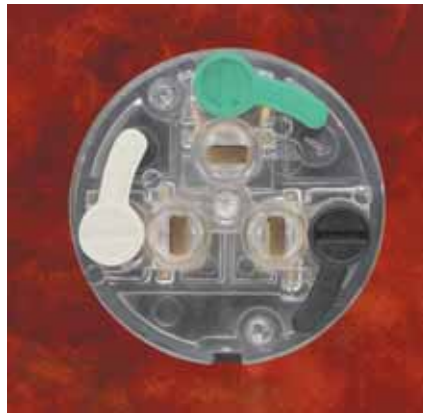


Patented

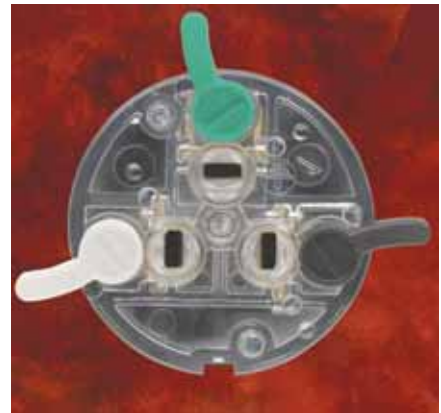
How Does it Work?

The patented Maringo design utilizes color-coded cam levers to open and close windows that accept the conductors. There is no need to insert a tool into the device and re-torquing is not required because the device provides consistent clamping force.

Assemblers open the levers, insert the stripped conductors and close the levers. The connection is complete.



Clamp-Lock™ devices feature cam levers that are opened and closed by hand. Here, all levers are closed, prior to assembly.



The Clamp-Lock device above is shown with all cam levers open, ready to accept stripped conductors.

Fast • Safe • Reliable

Clamp-Lock device assembly is fast and easy. Long, deep "funnels" guide the insertion of wires into the device and prevent over-insertion.



Because of its unique design, a Clamp-Lock termination actually tightens when the cable is pulled. This eliminates terminal self-loosening due to heat, shock or vibration.

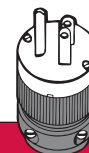


Clamp-Lock devices feature a self-centering cord grip for faster assembly. A molded-in guide shows how much wire should be stripped.

Removable inserts accommodate the widest possible range of cable diameters. Manufacturers can specify devices with inserts already removed, to speed assembly with larger gauge wire.



Product Specifications



AMPS	POLES/WIRES	VOLTS	NEMA CONFIG.	COLOR ¹		CONNECTOR		PLUG	
				Body	Housing	Individual	OEM Pack ²	Individual	OEM Pack ²
15	2P 3W	125	 5-15R 5-15P	WH	BL	CL5269	CL5269.OEM	CL5266	CL5266.OEM
15	2P 3W	125	 5-15R 5-15P	BL	BL	CL5269BL	CL5269BL.OEM	CL5266BL	CL5266BL.OEM
15	2P 3W	250	 6-15R 6-15P	WH	BL	CL5669	CL5669.OEM	CL5666	CL5666.OEM
20	2P 3W	125	 5-20R 5-20P	WH	BL	CL5369	CL5369.OEM	CL5366	CL5366.OEM

15 Amp Straight Blade Hospital Grade									
15	2P 3W	125	 5-15R 5-15P	WH	BL	CL8219	CL8219.OEM	CL8215	CL8215.OEM
15	2P 3W	125	 5-15R 5-15P	WH	TR	CL8219T	CL8219T.OEM	CL8215T	CL8215T.OEM

Product Option

Inserts: Devices available with inserts removed. *Minimum quantities apply. Contact Marince for details and part numbers.*

¹WH = White; BL = Black; TR = Transparent. ²OEM pack devices are 50 pieces per pack.

Designed for Durability

Hospital Grade Clamp-Lock devices meet or exceed Hospital Grade U.L. tests. Devices conform to U.L. Standards for hospital equipment, #498 and #544, including:

- Abrupt plug removal (parallel to wall) test
- Ground contact temperature test
- Ground resistance test
- Grounding contact overstress test
- Assembly security test
- Mold stress relief test
- Crush test
- Cord grip strain relief tests
- Static cord pull test
- Rotary cord pull test
- Impact resistance test
- Mechanical drop test

Terminal Identification

Lever colors identify hot (black), neutral (white), ground (green)

Construction

Housing and Body: Nylon – Tough and resistant to a wide range of chemicals. U.L. recognized for 125°C continuous use. U.L. 94V-2 Flammability Index. Beveled design to resist snagging.

Blades and Contacts: Solid brass for excellent conductivity

Terminal Cover: Clear polycarbonate – terminals visible

Assembly Screws: Two U-drive combination slot/crosshead

Agency Listings

U.L. Listed File E57672
C.S.A. Certified File LR81290



Mechanical

Accommodates 18/3 SJ through 10/3 S cable

Cord Accommodation (with inserts): .300" - .430"

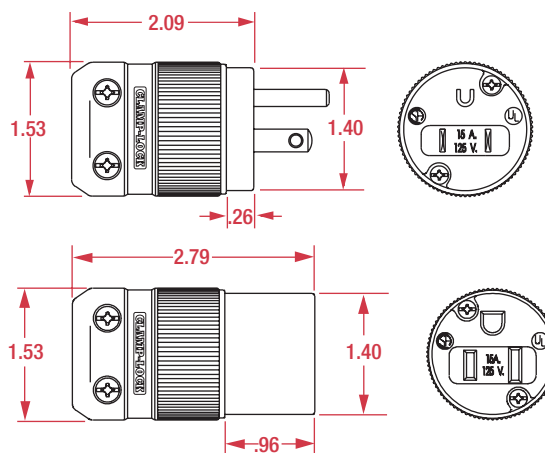
Cord Accommodation (inserts removed): >.430" - .655"

Electrical

Dielectric Withstand Voltage: >3,000V

Heat Rise: Maximum 30°C after 100 cycles at 150% of rated current

Current Interrupting: Yes



Marinco Electrical Group

2655 Napa Valley Corporate Dr. • Napa, CA 94558
Tel: 800-767-8541 or 707-226-8600 Fax: 707-226-9670
www.marinco.com • industrialinfo@marinco.com