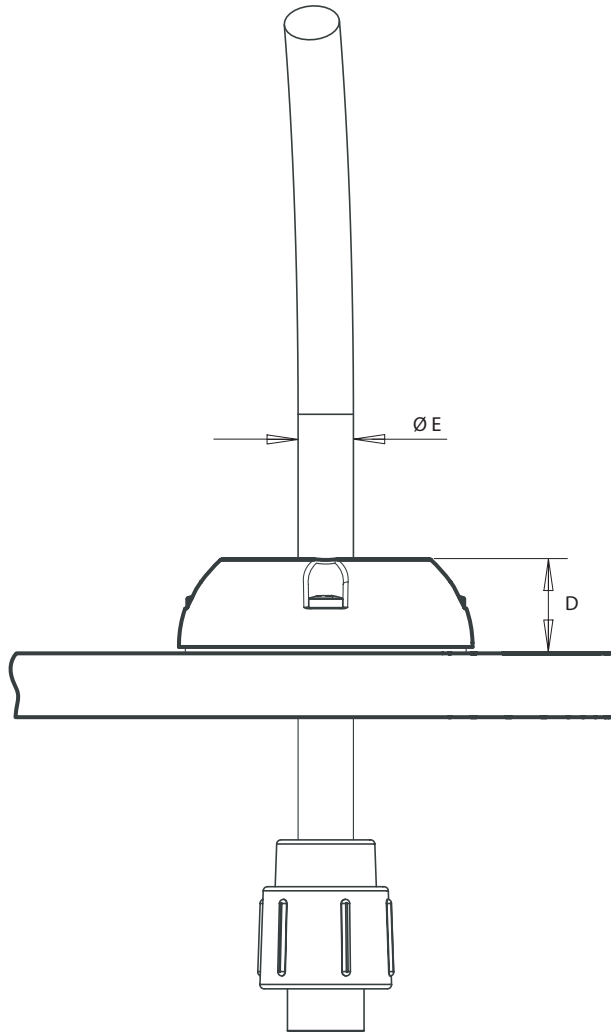
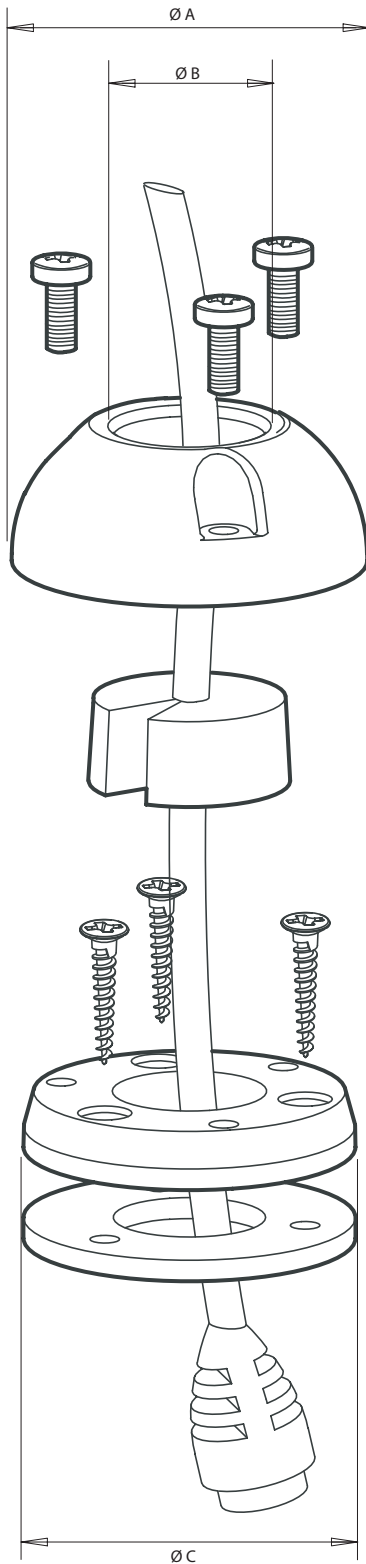


# Deck Seals

For help & information  
 email: [technical@scanstrut.com](mailto:technical@scanstrut.com)  
 tel: +44 (0) 1803 863800



	A mm / inches	B mm / inches	C mm / inches	D mm / inches	E mm / inches
<b>DS16</b>	39/1.53	16/0.63	36.5/1.44	19/0.75	2-8/0.08-0.31
<b>DS21A</b>	49/1.93	21/0.83	45.7/1.8	20.5/0.81	4-8/0.17-0.31
<b>DS21B</b>	49/1.93	21/0.83	45.7/1.8	20.5/0.81	9-14/0.35-0.55
<b>DS30</b>	59/2.32	30/1.18	56/2.2	20.5/0.81	9-14/0.35-0.55
<b>DS40</b>	69/2.72	40/1.57	66/2.6	21.7/0.85	12-15/0.4-0.59

Please note: When ordering your Deck Seal please specify -S for Stainless steel and -P for Plastic.  
 e.g. DS16-P



# Multi Deck Seal

For help & information  
email: [technical@scanstrut.com](mailto:technical@scanstrut.com)  
tel: +44 (0) 1803 863800

